

Performer SZ110S4VA

Specifications

Marque	Performer
Le type	SZ110S4VA
Réfrigérant	Freon
Refrigerant type	R407 C or other types
kW at +10°C/+40°C	32,7
kW at 0°C/+40°C	22,2
kW at -5°C/+40°C	18
Remarques	y.o.b. 2001
Tailles	300x350x580 mm (LxWxH)
Stock	1



Description

Used Performer SZ110S4VA

Used Performer SZ110S4VA freon scroll compressor. This unit has a cooling capacity of 32,7 kW at +10°C/+40°C.

Why choose for HOSBV? We're not only the largest used refrigeration specialist in Europe, but also, we deliver all equipment including an extensive test, warranty and deliver after an industrial cleaning. *If requested we are happy to



arrange your logistics.

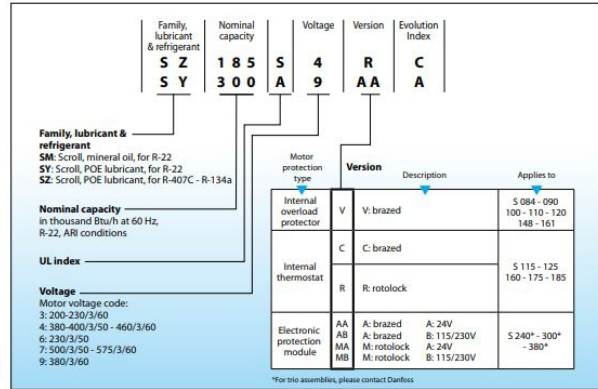


COMPRESSOR MODEL DESIGNATION

Performer® scroll compressors are available both as single compressors and as tandem units. The example below presents single compressor nomenclature.

For tandem assemblies, please refer to the Performer® Parallel Application Guidelines documentation.

Nomenclature



Connection details

Model	SM/SZ 084 - 090 - 100 110 - 120 - 148 - 161	SM/SZ 115 - 125 - 160 - 175 - 185	SY/SZ 240 - 300	SY/SZ 380
Version	V	R	MA MB	AA AB
Suction and discharge connection	brazed	rotolock	rotolock	brazed
Oil sight glass	threaded	threaded	threaded	threaded
Oil equalization connection	3/8" flare	3/8" flare	1/2" flare	1/2" flare
Oil drain connection	-	1/4" NPT	1/4" NPT	1/4" NPT
Low pressure gauge port (schraeder)	1/4" flare	1/4" flare	1/4" flare	1/4" flare